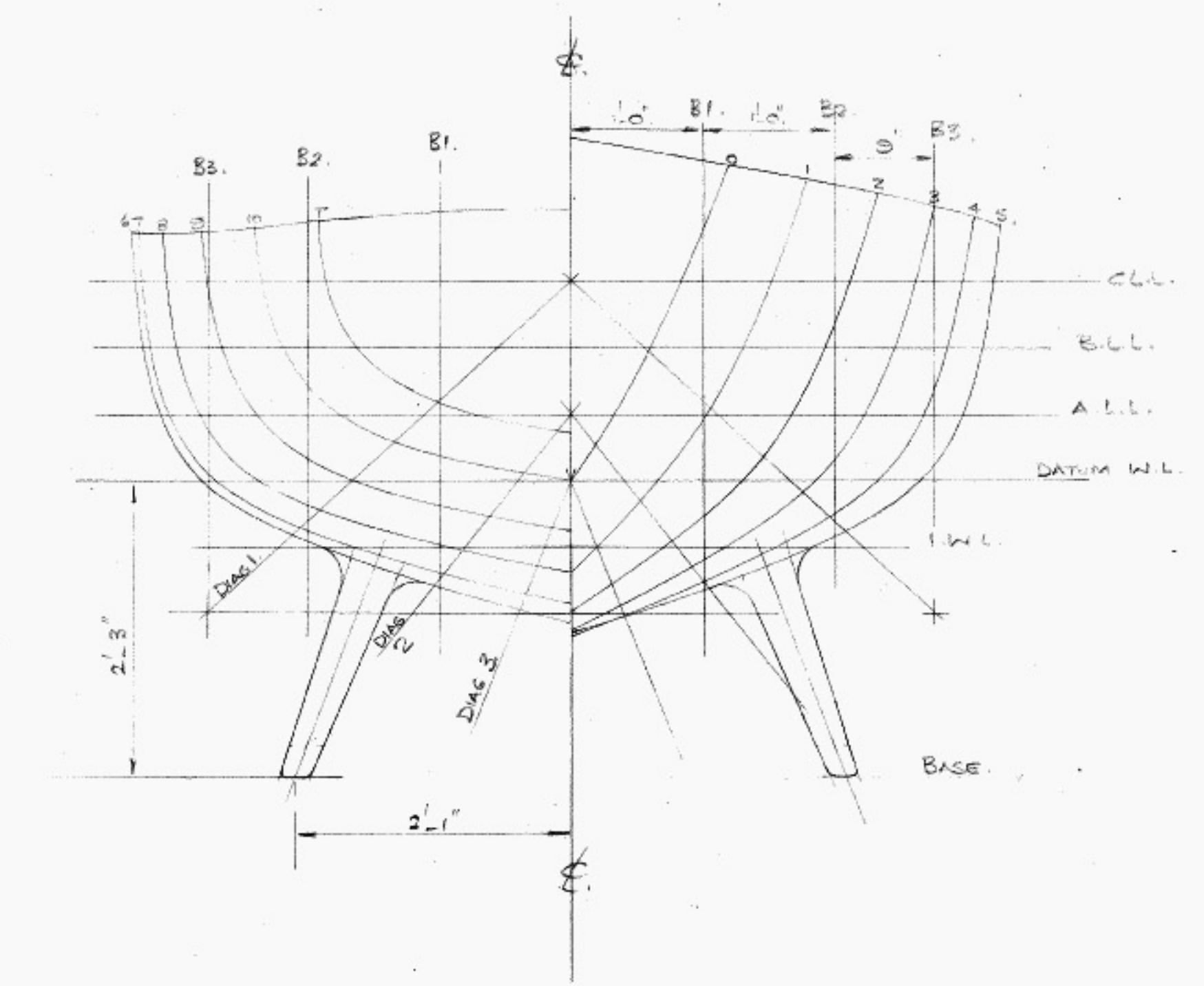
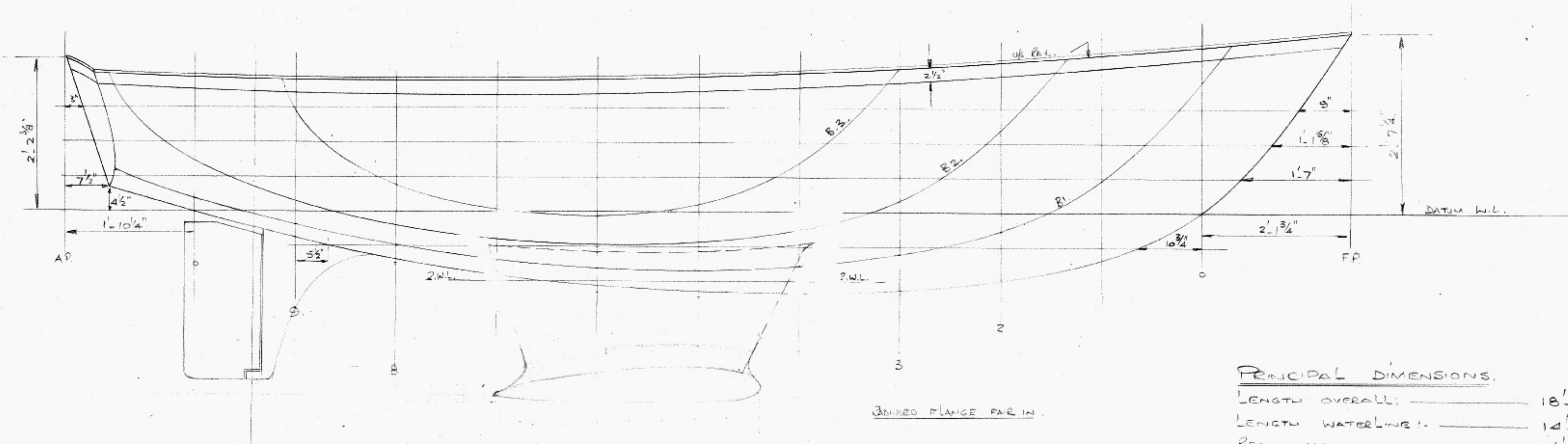


HURLEY 18

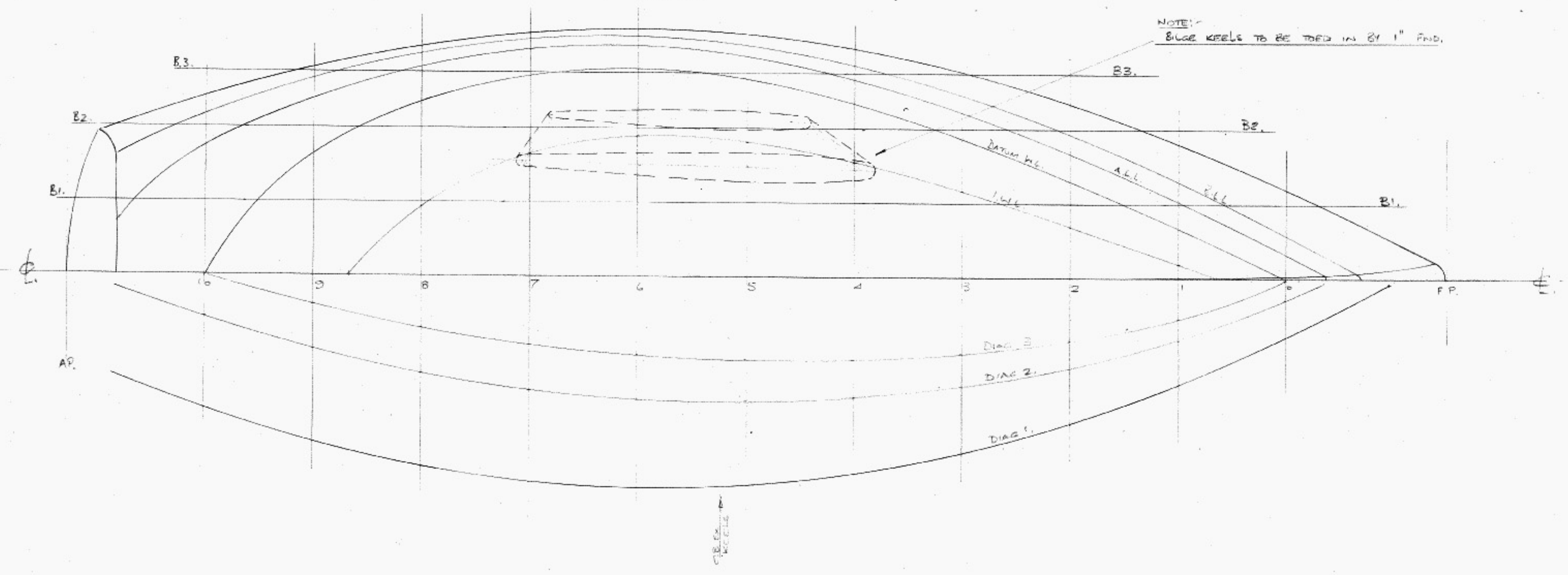
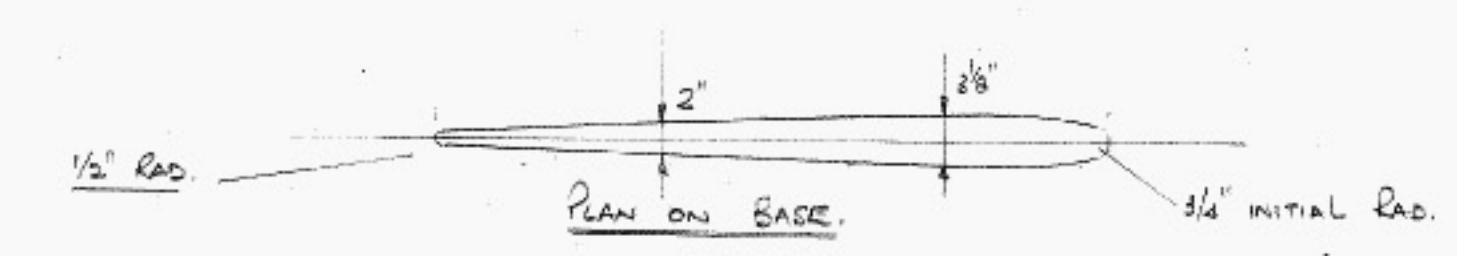
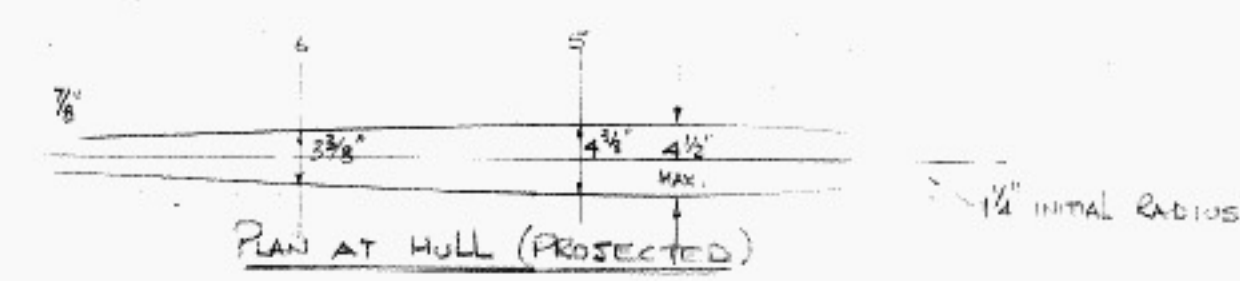
BILGE KEEL VERSION LINES & OFFSETS.

SCALE: 1" = 1'0".



PRINCIPAL DIMENSIONS.

- LENGTH OVERALL: 18' 6"
- LENGTH WATERLINE: 14' 6"
- BEAM MAX: 6' 8"
- DRAUGHT MAX: 2' 3"
- DISPLACEMENT TONS: .94 TONS.
- BALLAST KEELS 185 EACH: 400 lbs. TOTAL 800 lbs.



STATION	HEIGHTS			HALF BREADTHS											
	UPR. KEEL AT SIDE	PUBLIC FROM FIG	UPR. KEEL AT BOE	ALL	B.I.	ALL	DATUM W.L.	W.L.	DIAG 1	DIAG 2	DIAG 3	SPR			
FP	274	274	-	-	-	-	-	-	-	-	-	FP			
0	242	-	1108	-	125	0.100	072	0314	-	-	0.519	0.38	0		
1	234	0.84	058	-	19.11	1.62	1.37	1.06	0.715	0.24	1.510	0.91	0.61	1	
2	221	0.114	034	1.24	-	23.4	2.14	1.110	1.715	1.3.8	0.84	1.110	1.210	0.104	2
3	210	1.19	072	020	-	29.0	2.74	2.54	2.28	1.05	1.14	2.47	1.510	1.06	3
4	202	1.22	094	03.0	088	30.11	2.18	2.100	2.713	2.34	1.6.10	2.712	1.7.6	1.1.6	4
5	111.7	1.14	010	052	013	33.0	3.26	3.14	2.118	2.713	1.9.13	2.912	1.8.5	1.1.8	5
6	111.0	1.0	0100	059	009	34.0	3.37	3.210	3.12	2.97	1.101	2.104	1.7.15	1.0.12	6
7	110.8	0.110	089	0.4	008	33.2	3.213	3.22	3.0.8	2.84	1.7.14	2.96	1.6.7	0.112	7
8	110.2	0.84	060	025	040	31.0	3.0.10	2.11.2	2.910	2.42	0.112	2.4.4	1.3.12	0.87	8
9	111.0	0.48	024	022	158	23.9	2.90	2.710	2.4.8	1.7.10	-	2.3.0	1.1.4	0.4.11	9
10	111.6	-	023	090	-	25.8	2.4.0	2.2.0	1.8.4	-	-	1.9.10	0.6.13	-	10
T	200	0.44	070	-	-	11.0	1.10	1.74	0.88	-	-	1.4.6	-	-	T
AP	226	-	-	-	-	-	-	-	-	-	-	-	-	-	AP

NOTE:

- ALL OFFSETS GIVEN IN FEET INCHES & SIXTEENTHS TO NEAREST SIXTEENTH, AND TO OUTSIDE OF SKIN.
- TENS INDICATES ABOVE OR BELOW DATUM W.L.
- STATION SPACING: 1.45 FEET APART.
- W.L. SPACING: .5 FEET APART.
- BUTTOCK SPACING: 1'0" & .75 FEET APART.

HURLEY 18.

SCALE: 1" = 1'0".

DATE: 20.9.69

DES. NO: A6/3.

BILGE KEEL VERSION.

LINES & OFFSETS.

IAN L. ANDERSON A.M.R.I.N.A.

7 HURLEY RD DARTMOUTH DEVON.

20.9.69